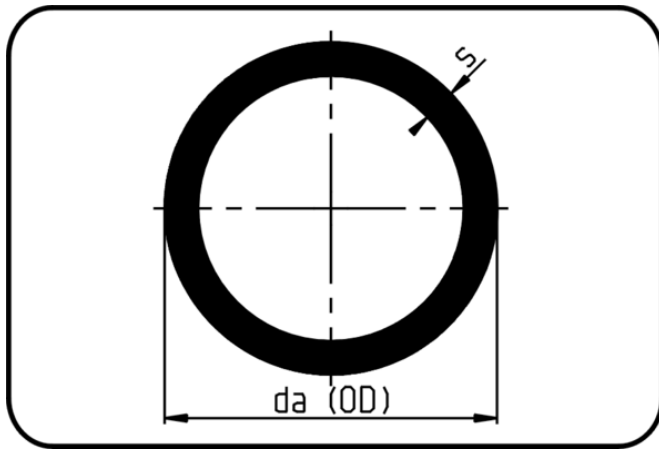


Pipes



Code: 705

- Pipe 5m
- flame retardant
- extruded
- PPs grey

Dimension	Code	Detail	da(OD) mm	s mm	Weight
140	17.705.0140.00	140X3,0 Ventilation	140	3	1.32
160	17.705.0160.00	160X3,0 Ventilation	160	3	1.53
180	17.705.0180.00	180X3,0 Ventilation	180	3	1.71
200	17.705.0200.00	200X3,0 Ventilation	200	3	1.9
225	17.705.0225.00	225X3,5 Ventilation	225	3,5	2.47
250	17.705.0250.00	250X3,5 Ventilation	250	3,5	2.75
280	17.705.0280.00	280X4,0 Ventilation	280	4	3.48
315	17.705.0315.00	315X5,0 Ventilation	315	5	4.91
355	17.705.0355.00	355X5,0 Ventilation	355	5	5.54
400	17.705.0400.00	400X6,0 Ventilation	400	6	7.39
450	17.705.0450.00	450X6,0 Ventilation	450	6	8.33
500	17.705.0500.00	500X8,0 Ventilation	500	8	12.3
560	17.705.0560.00	560X8,0 Ventilation	560	8	13.8
630	17.705.0630.00	630X10,0 Ventilation	630	10	19.3
710	17.705.0710.00	710X12,0 Ventilation	710	12	26
800	17.705.0800.00	800X12,0 Ventilation	800	12	29.3
900	17.705.0900.00	900X15,0 Ventilation	900	15	41.2
1000	17.705.1000.00	1000X15,0 Ventilation	1.000	15	45.9
1200	17.705.1200.00	1200X18,0 Ventilation	1.200	18	65.8
75	17.705.0075.41	75X1,9 SDR41 ISO S-20	75	1,9	0.448
90	17.705.0090.41	90X2,2 SDR41 ISO S-20	90	2,2	0.619
110	17.705.0110.41	110X2,7 SDR41 ISO S-20	110	2,7	0.922
125	17.705.0125.41	125X3,1 SDR41 ISO S-20	125	3,1	1.198

Dimension	Code	Detail	da(OD) mm	s mm	Weight
63	17.705.0063.33	63X2,0 SDR33 ISO S-16	63	2	0.392
20	17.705.0020.11	20X1,9 SDR11 ISO S-5	20	1,9	0.115
25	17.705.0025.11	25X2,3 SDR11 ISO S-5	25	2,3	0.168
32	17.705.0032.11	32X2,9 SDR11 ISO S-5	32	2,9	0.267
40	17.705.0040.11	40X3,7 SDR11 ISO S-5	40	3,7	0.423
50	17.705.0050.11	50X4,6 SDR11 ISO S-5	50	4,6	0.654
63	17.705.0063.11	63X5,8 SDR11 ISO S-5	63	5,8	1.03
75	17.705.0075.11	75X6,8 SDR11 ISO S-5	75	6,8	1.44
90	17.705.0090.11	90X8,2 SDR11 ISO S-5	90	8,2	2.08
110	17.705.0110.11	110X10,0 SDR11 ISO S-5	110	10	3.09
140	17.705.0140.11	140X12,7 SDR11 ISO S-5	140	12,7	4.99
160	17.705.0160.11	160X14,6 SDR11 ISO S-5	160	14,6	6.55