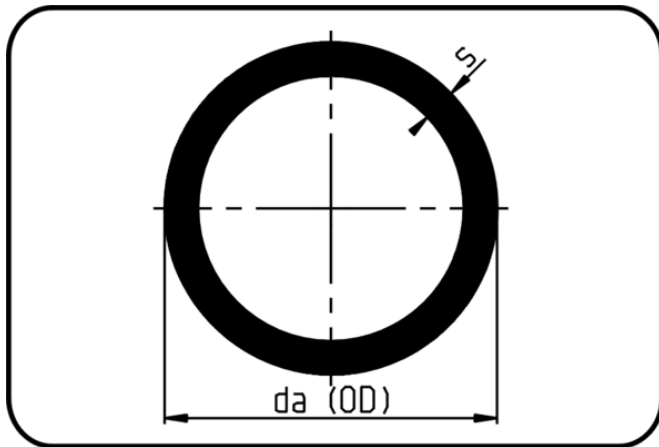


Pipes



Code: 705

- Pipe 5m
- flame retardant & el-conduct.
- extruded
- PPs-el black

Dimension	Code	Detail	da(OD) mm	s mm	Weight
110	19.705.0110.00	110X3,0 Ventilation	110	3	1.232
160	19.705.0160.00	160X3,0 Ventilation	160	3	1.809
180	19.705.0180.00	180X3,0 Ventilation	180	3	2.039
200	19.705.0200.00	200X3,0 Ventilation	200	3	2.27
225	19.705.0225.00	225X3,5 Ventilation	225	3,5	2.984
250	19.705.0250.00	250X3,5 Ventilation	250	3,5	3.321
315	19.705.0315.00	315X5,0 Ventilation	315	5	5.881
355	19.705.0355.00	355X5,0 Ventilation	355	5	6.64
400	19.705.0400.00	400X6,0 Ventilation	400	6	8.943
90	19.705.0090.33				