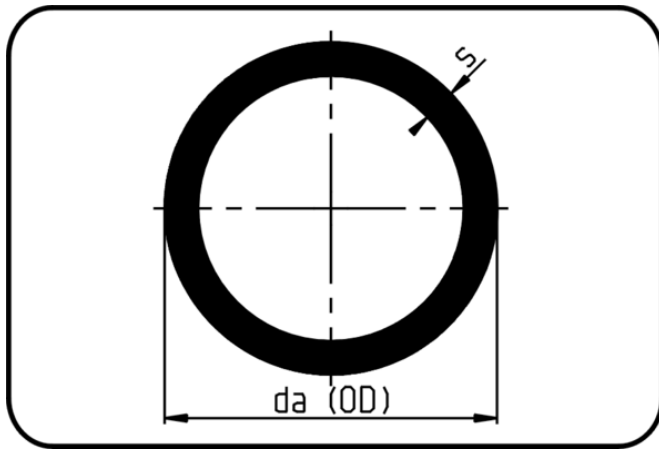


## Pipes



Code: 705

- Pipe 5m
- extruded
- ECTFE natural

Dimension	Code	Detail	da(OD) mm	s mm	Weight
110	40.705.0110.00	110X3,0 Ventilation	110	3	1.83
160	40.705.0160.00	160X3,0 Ventilation	160	3	2.69
200	40.705.0200.00	200X5,0 Ventilation	200	5	6.04
20	40.705.0020.21	20X1,9 SDR21 ISO S-10	20	1,9	0.198
25	40.705.0025.21	25X1,9 SDR21 ISO S-10	25	1,9	0.254
32	40.705.0032.21	32X2,4 SDR21 ISO S-10	32	2,4	0.41
40	40.705.0040.21	40X2,4 SDR21 ISO S-10	40	2,4	0.522
50	40.705.0050.21	50X3,0 SDR21 ISO S-10	50	3	0.802
63	40.705.0063.21	63X3,0 SDR21 ISO S-10	63	3	1.03
90	40.705.0090.21	90X4,3 SDR21 ISO S-10	90	4,3	2.1
110	40.705.0110.21	110X5,3 SDR21 ISO S-10	110	5,3	3.14